

CABINET HINGE "3D" – SOFT CLOSE 103 DG OPENING



**CABINET HINGE "3D",
103 DG, SOFT CLOSE**

Material: Zamak - black

Door thickness: 18 – 32 mm

Opening: 103 degrees

Load capacity: 20 kg pr. door.

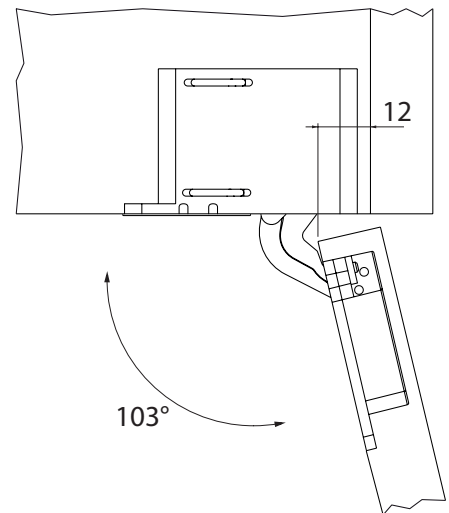
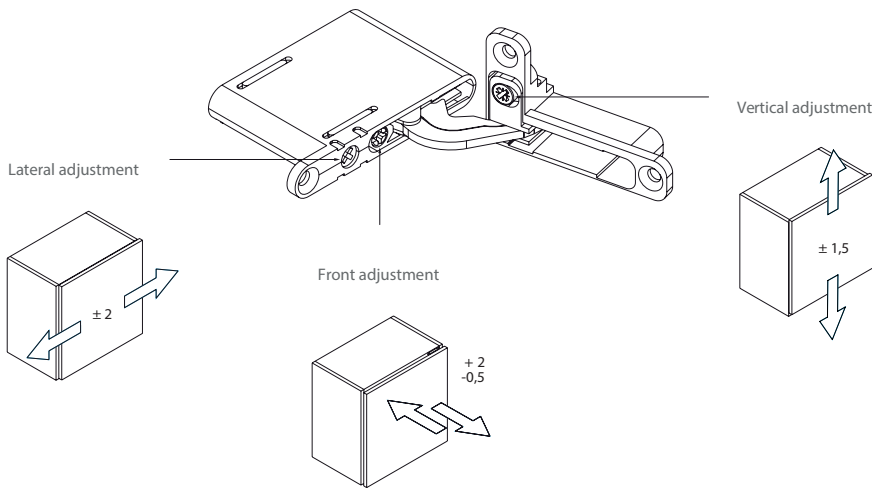
Item No.:

Black – right hand # 15.04.001

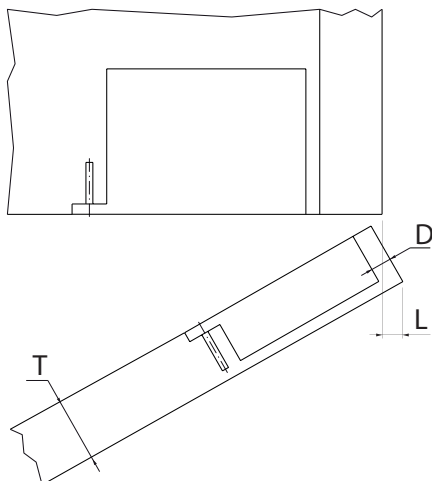
Black – left hand # 15.04.002

Incl. black plastic cover plate

Hinge for swing doors mounted recessed into milled panels. Lateral, frontal and vertical adjustment of the door. Installation on doors with alu frames possible by use of corner brackets.



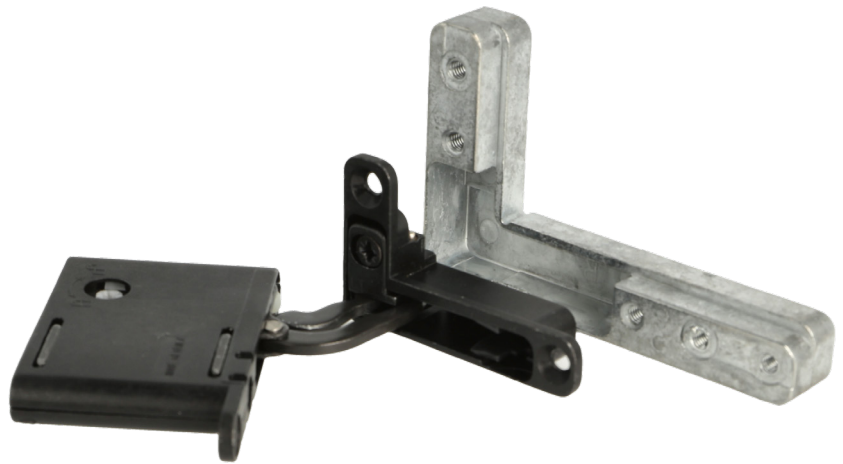
SPACE REQUIRED FOR THE DOOR OPENING



L \ T	18	20	22	24	26	28	30	32
3	0.0	0.2	0.5	0.9	1.4	2.1	3.1	4.7
4	0.0	0.2	0.5	0.9	1.4	2.0	2.9	4.2
5	0.0	0.2	0.5	0.8	1.3	2.0	2.8	3.9
6	0.0	0.2	0.5	0.8	1.3	1.9	2.7	3.7

CORNER BRACKET "3D" - FOR ALU FRAMES

- high quality furniture fittings



CORNER BRACKET "3D"

Application:
Corner brackets for aluminum profile doors.

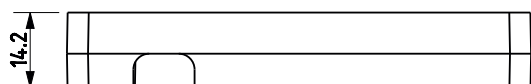
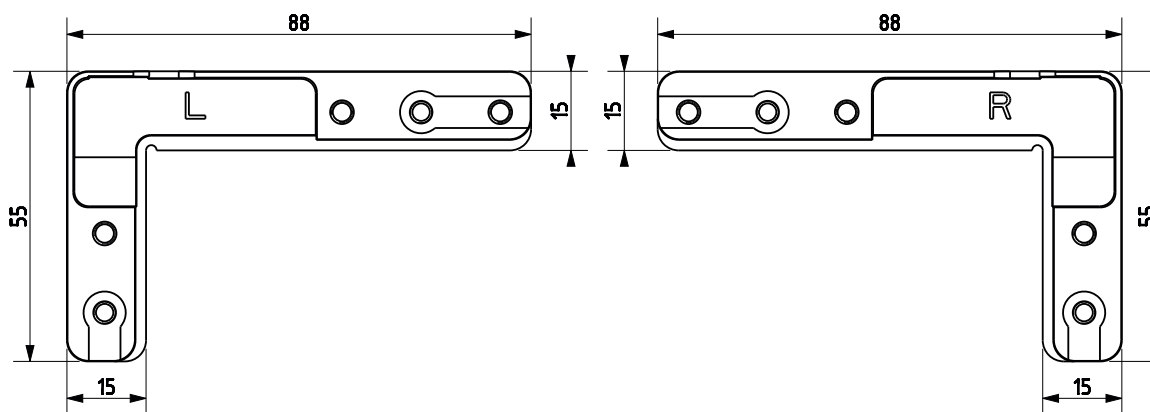
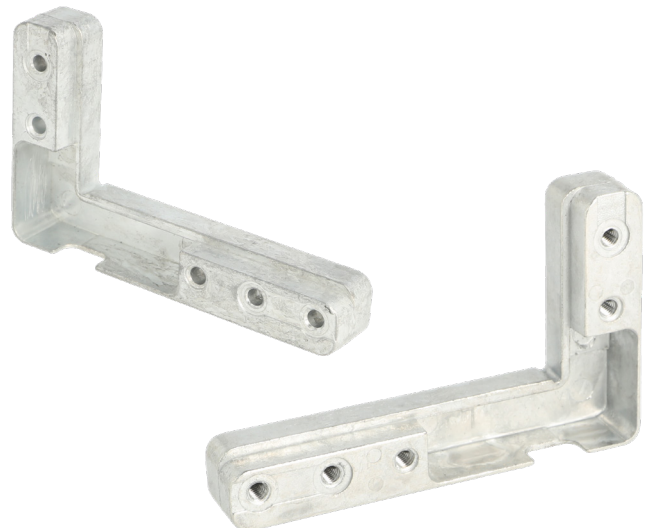
Material: Zamak - raw

Size: 55 x 88 x 14,2 mm

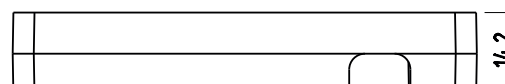
Item No.:

Raw – right hand # 15.04.010

Raw – left hand # 15.04.011



Item: 15.04.011-0



Item: 15.04.010-0